



CHEMFLO 2 PEDESTAL

1-1/2" x 1" End Suction Centrifugal Pump

Made with high quality investment cast 316 stainless steel components, the ChemFlo® series of pumps are designed to be applied in a wide range of pumping applications where stainless steel is required.

ChemFlo® 2 pumps utilize a semi-open impeller design to allow for passage of larger solid sizes. Several seal options are available in addition to the standard type 2100 carbon / ceramic / Viton mechanical seal.

All wetted components are 316 investment cast stainless steel providing superior corrosion resistance when pumping chemical compounds. The Chemflo® 2 pedestal uses a pump end (Pumpak) design that is interchangeable with 56C or 145TC electric motors. If ordering a pumpak with a 145TC please note that the electric motor must have a base.



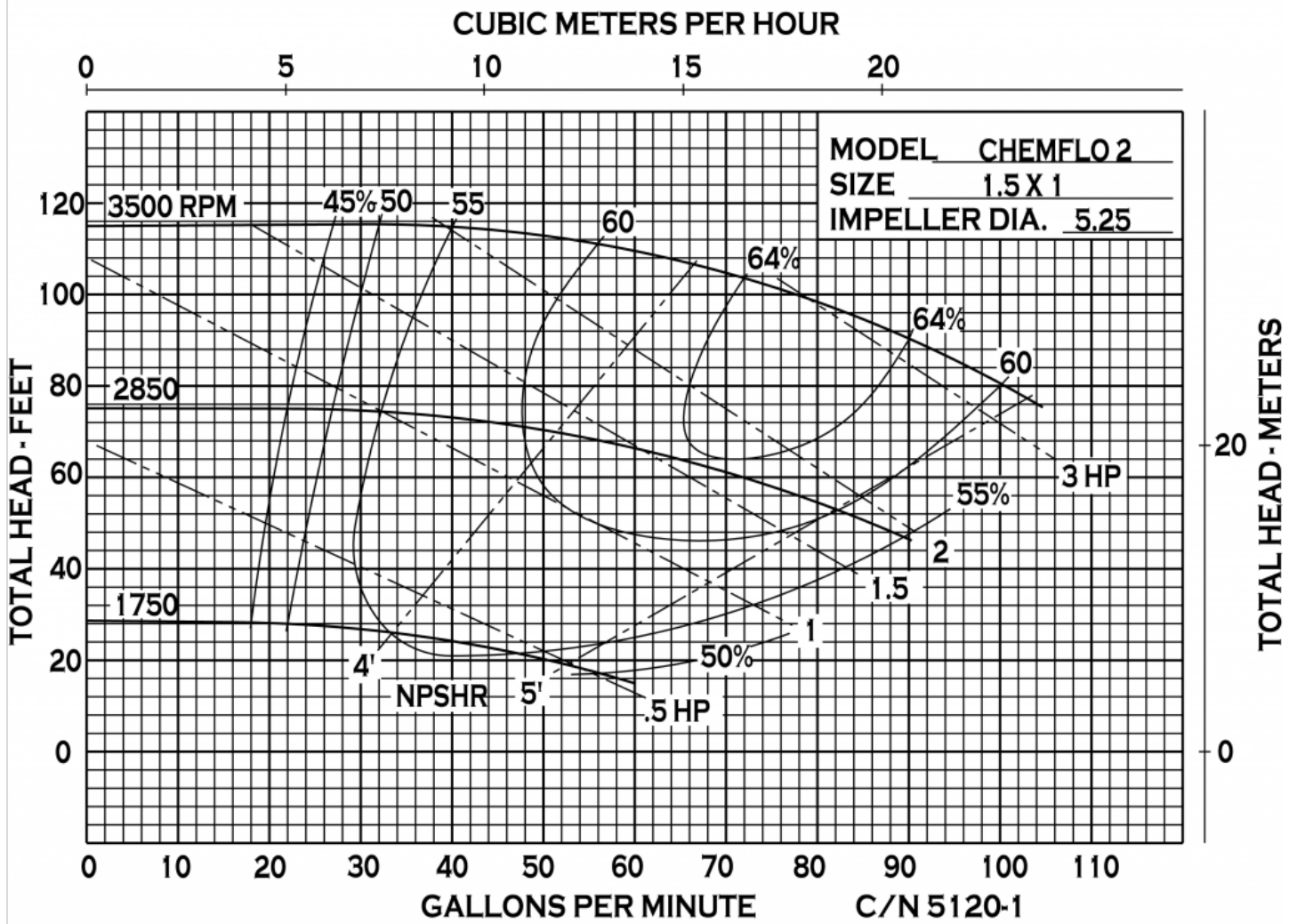
SPECIFICATIONS:

Materials Of Construction	316 Stainless Steel Investment Cast
Flow	110 GPM @ 3500 RPM
Head Feet	115' @ 3500 RPM
Seal	Carbon/Ceramic/Viton Type 2100, Special Seals Available upon Request
O Ring	Viton
Mounting Options	Close Coupled 145TC, Close Coupled 56C, Hy-Speed Hydraulic, Pedestal, PumPak®
Port Sizes	1-1/2" x 1" NPT

Application

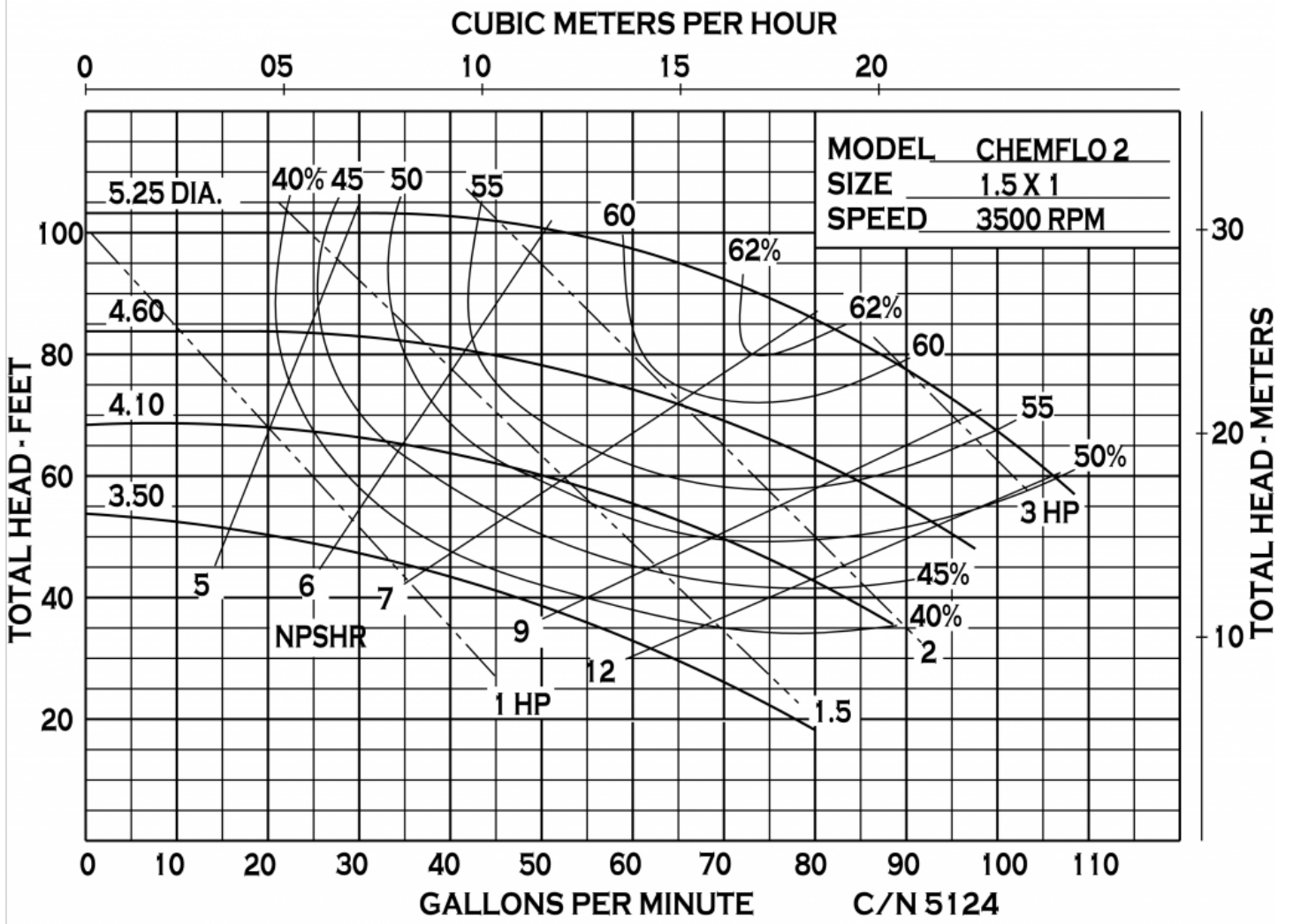
- Commercial
- Industrial
- Marine

CHEMFLO 2 PEDESTAL



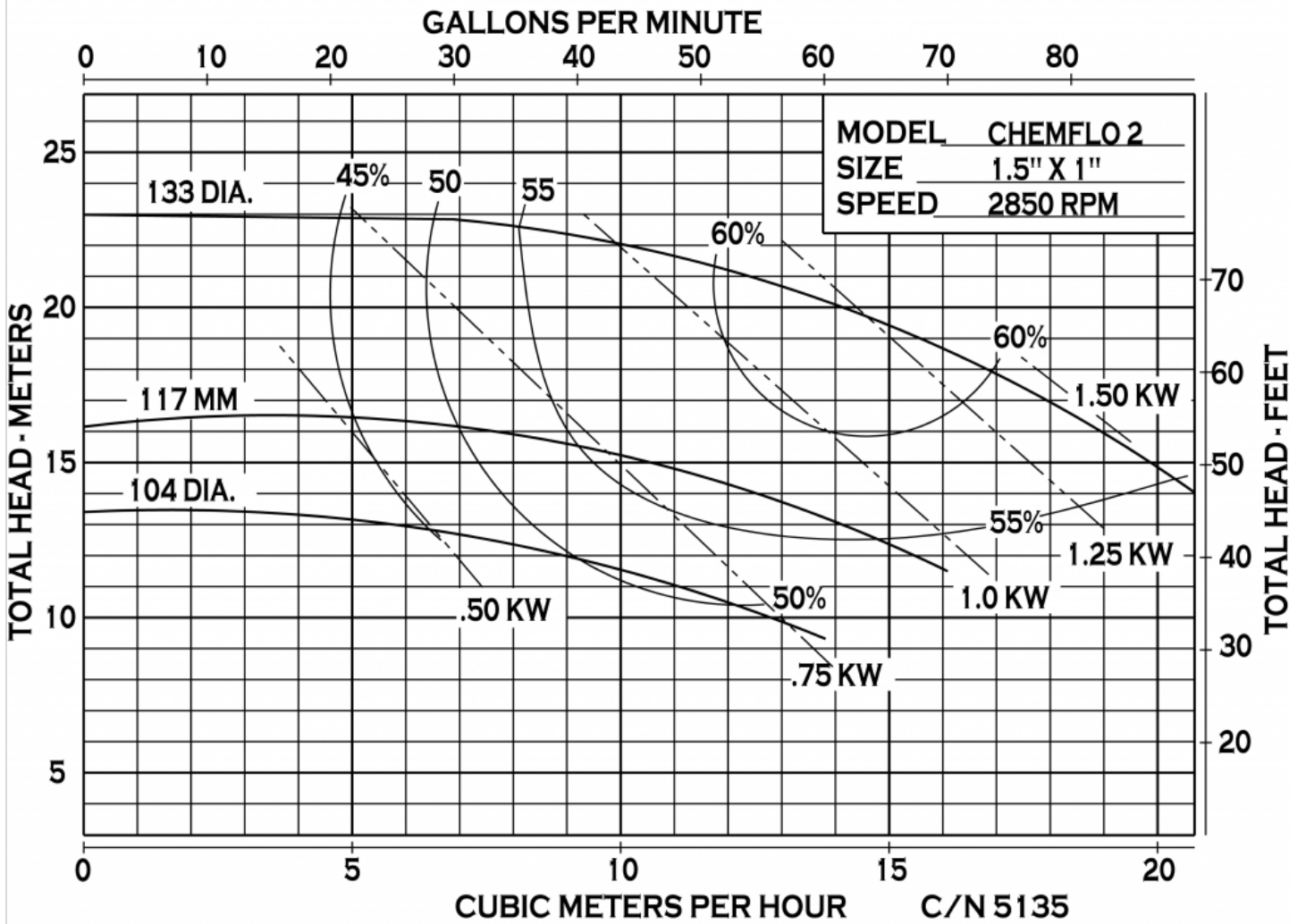
34800 BENNETT - FRASER, MI 48026-1686
 (586) 293-8240 - FAX (586) 293-8469
 (800) 563-8006 - www.mppumps.com

CHEMFLO 2 PEDESTAL



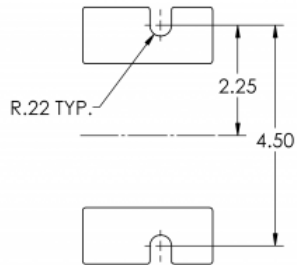
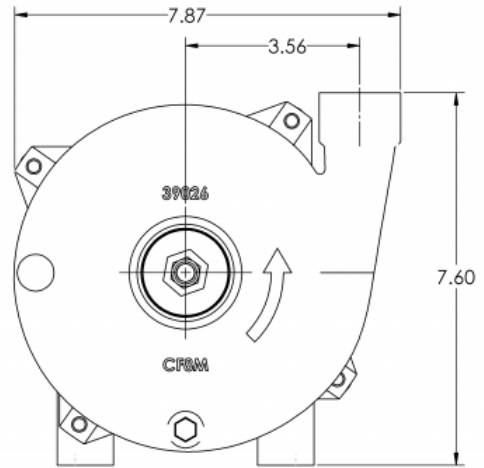
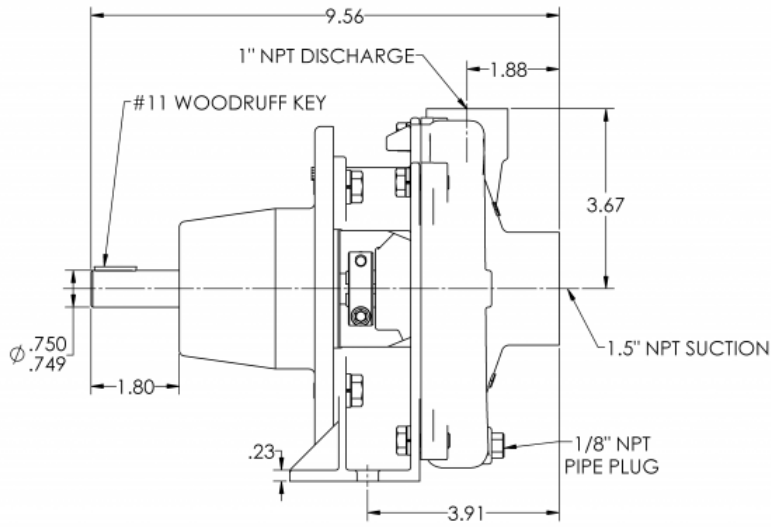
34800 BENNETT - FRASER, MI 48026-1686
 (586) 293-8240 - FAX (586) 293-8469
 (800) 563-8006 - www.mppumps.com

CHEMFLO 2 PEDESTAL



34800 BENNETT - FRASER, MI 48026-1686
 (586) 293-8240 - FAX (586) 293-8469
 (800) 563-8006 - www.mppumps.com

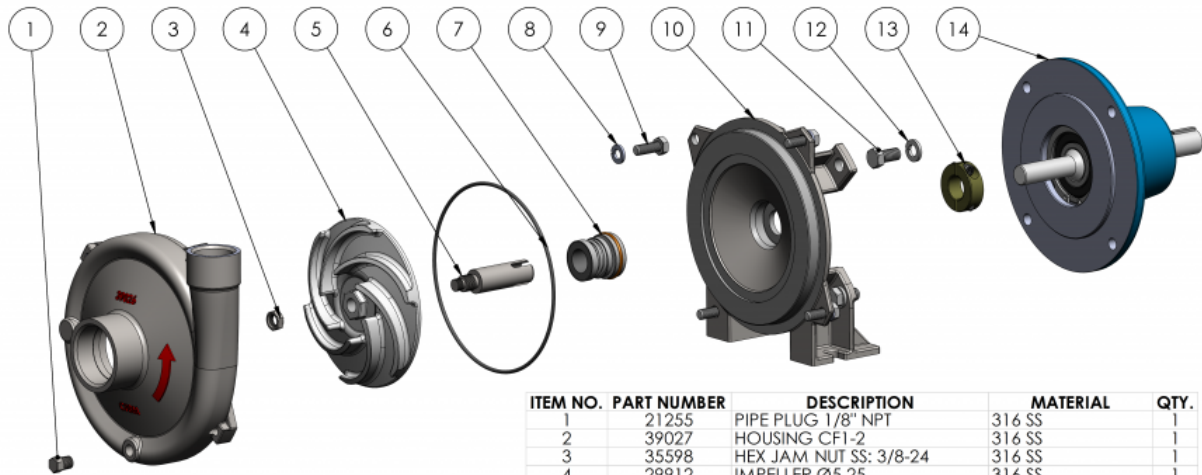
CHEMFLO 2 PEDESTAL



CF2 PED



CHEMFLO 2 PEDESTAL



ITEM NO.	PART NUMBER	DESCRIPTION	MATERIAL	QTY.
1	21255	PIPE PLUG 1/8" NPT	316 SS	1
2	39027	HOUSING CF1-2	316 SS	1
3	35598	HEX JAM NUT SS: 3/8-24	316 SS	1
4	29912	IMPELLER Ø5.25	316 SS	1
4	30234	IMPELLER Ø4.60	316 SS	1
4	30235	IMPELLER Ø4.10	316 SS	1
4	30236	IMPELLER Ø3.50	316 SS	1
5	29785	DRIVE SLEEVE	316 SS	1
6	30066	O-RING AS-568-163	TEFLON ENCAPS	1
6	31230	O-RING AS-568-162	EPDM	1
6	29715	O-RING AS-568-162	VITON	1
6	35290	O-RING AS-568-162	NEOPRENE	1
6	39375	O-RING AS-568-162	BUNA	1
6	50524	O-RING AS-568-162	AFLAS	1
7	29168	SEAL ASSEMBLY 3/4"	CAR/SIC	1
7	34380	SEAL ASSEMBLY 3/4"	SILICONE	1
7	30061	SEAL ASSEMBLY 3/4"	CCS/VITON	1
7	30358	SEAL ASSEMBLY 3/4"	EPT	1
7	30054	SEAL ASSEMBLY 3/4"	TEFLON/CCS	1
8	21238	LOCKWASHER 5/16 X 18	304 SS	4
9	21242	CAP SCREW HH 5/16-18 X 7/8	304 SS	4
10	29908	ADAPTER	CF8M SS	1
11	25663	CAPSCREW 3/8-16 X 3/4	304 SS	4
12	21266	LOCKWASHER 3/8 X 1/8	304 SS	4
13	28049	CLAMP	ZINC PLATED STEEL	1
14	29670	PEDESTAL ASSEMBLY	CAST IRON	1

CF2 PED

